

SOLAR CONTROLLERS

PROMATIC® SGC14, SGC26, SGC36

INTRODUCTION



Solar controllers SGC of 2nd generation are modern and powerful controllers for solar and combined heating systems.

In SGC controllers a large selection of hydraulic schemes is built-in. Selected scheme and other system informations are shown on illuminated graphic LCD display. Simple handling of the controller is based on user interface with graphical icons. With added »Help« key you can access user help and instructions, anytime you need it. By the first start of the controller a setup wizard is activated, which guides you through the initial setup in steps.

SGC controllers feature many control, protective and advance functions such as:

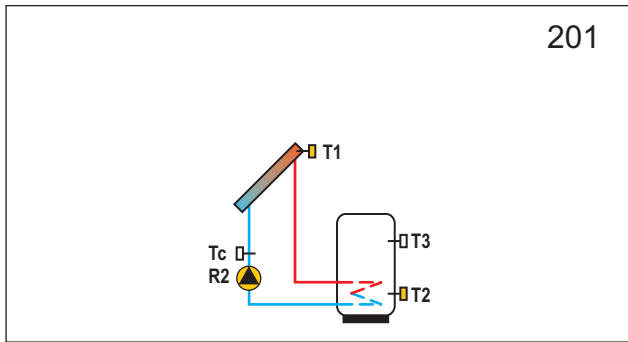
- operation of not used control outputs can be freely programmed as a thermostat, differential thermostat, timer, activation of auxiliary heat sources or as a combination of all mentioned,
- all controller settings are permanently stored, user settings can be saved to a user file and later opened from it,
- each change of controller setting, maximum temperature overrun or system malfunction is written to a log,
- all measured temperatures and acquired energy are periodically stored, the data can be anytime overviewed as graphs on display,
- especially interesting function is simulation of measured temperatures for testing the controller operation in any conditions.

FEATURES

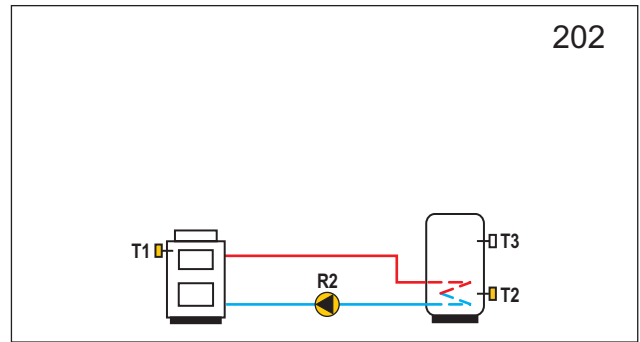
	SGC14	SGC26	SGC36
Number of mechanical relays	0	1	1
Number of electronic relays	1	1	2
Number of temperature sensors	4	6	6
Number of hydraulic schemes	5	22	50
Number of collector fields	1	2	2
Number of storage tanks	1	2	3
Illuminated LCD display	yes	yes	yes
Heat metering (kWh)	yes	yes	yes
Heat metering with flow sensor (l/min)	yes	yes	yes
Pump speed control (RPM)	yes	yes	yes
Antilegionella protection*	yes	yes	yes
Frost protection	yes	yes	yes
Protection of solar system	yes	yes	yes
Collector's safety shutdown	yes	yes	yes
Storage tank protection	yes	yes	yes
Function for tube collectors	yes	yes	yes
Recooling function	yes	yes	yes
Graphic overview of temperatures and acquired energy	yes	yes	yes
Error and high temperature warning	yes	yes	yes
Simulation of system operation	yes	yes	yes
Operation time counter	yes	yes	yes
Log of changes in settings	yes	yes	yes
Holiday mode	yes	yes	yes
Program timer	yes	yes	yes
Possibility of free programming	no	yes, 1 output	yes, 2 outputs

*Available only by schemes with oil boiler, electric heater or heat pump.

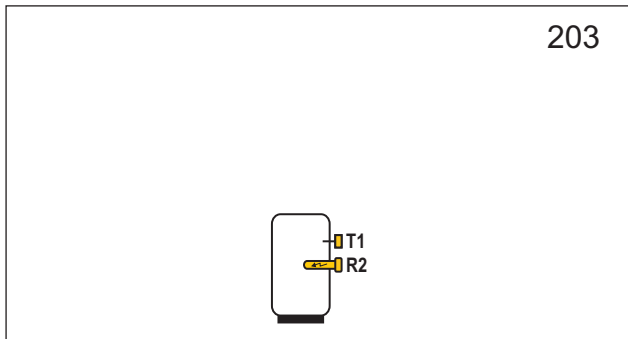
APPLICATION



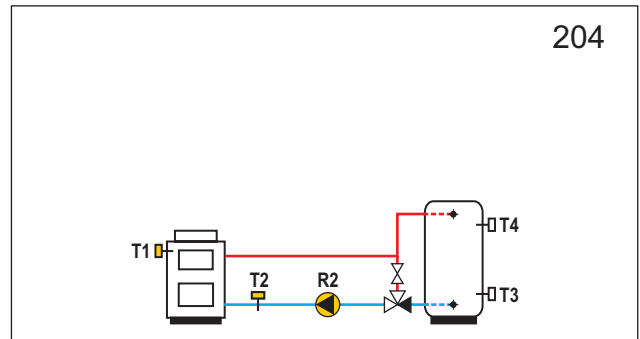
SGC14 Solar collectors, d. h. w. storage tank.



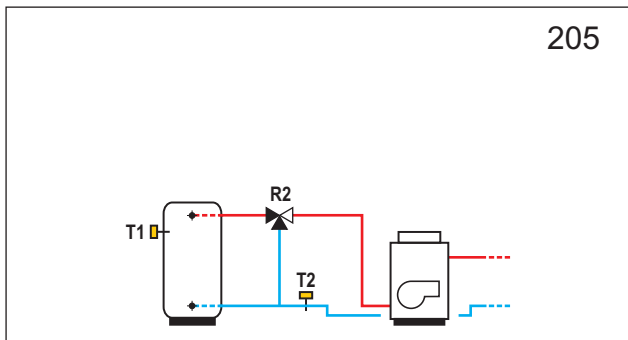
SGC14 Solid fuel boiler, d. h. w. storage tank.



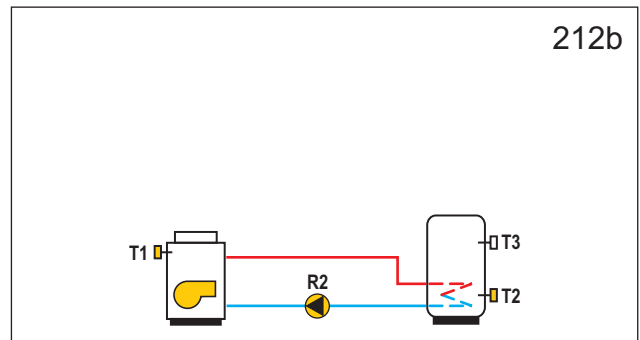
SGC14 D. h. w. storage tank, heating with electricity.



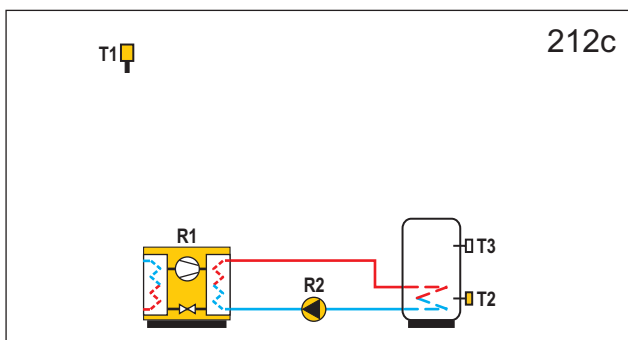
SGC14 Solid fuel boiler, heat accumulator.



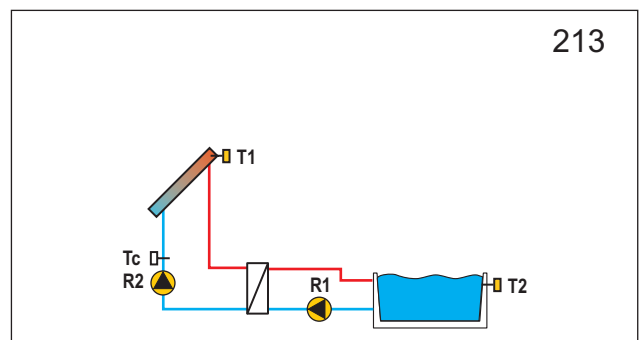
SGC14 Heating support with heat accumulator.



SGC26 Liquid fuel boiler, d. h. w. storage tank.

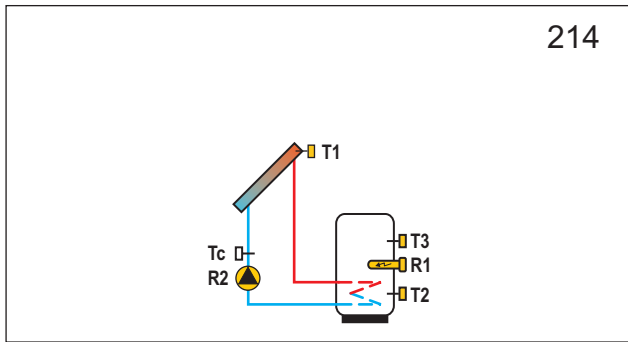


SGC26 Heat pump, d. h. w. storage tank.

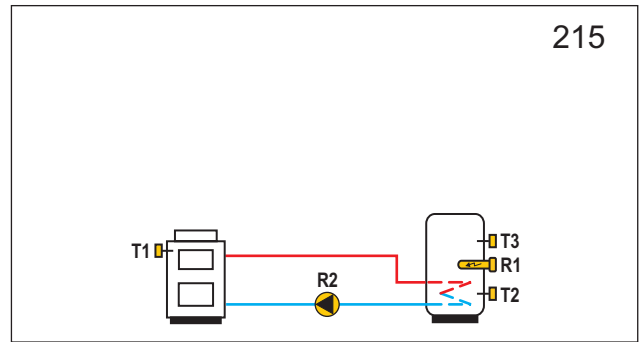


SGC26 Solar collectors, swimming pool.

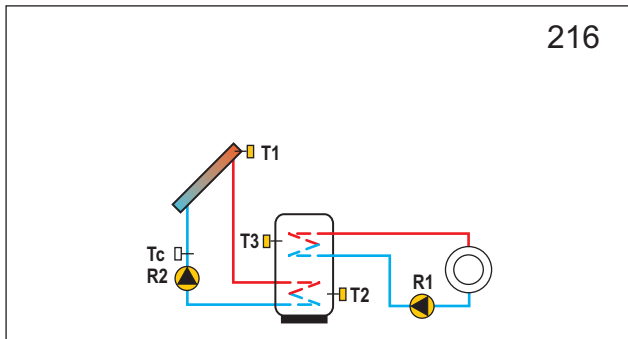
APPLICATION



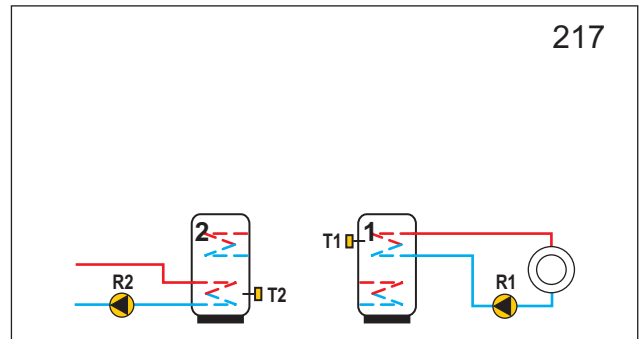
SGC26 Solar collectors, d. h. w. storage tank, backup heating with electricity.



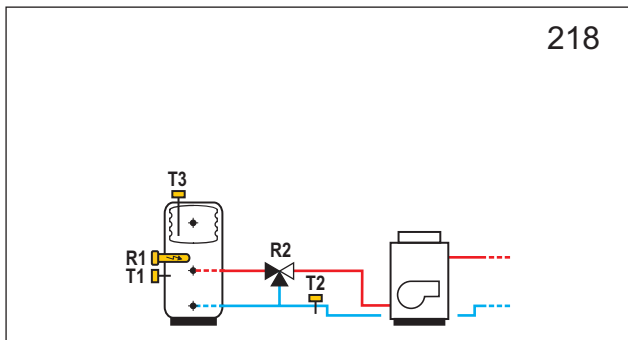
SGC26 Solid fuel boiler, d. h. w. storage tank, backup heating with electricity.



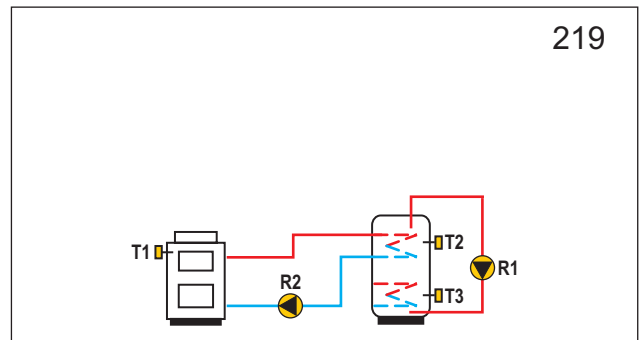
SGC26 Solar collectors, d. h. w. storage tank, heat take away.



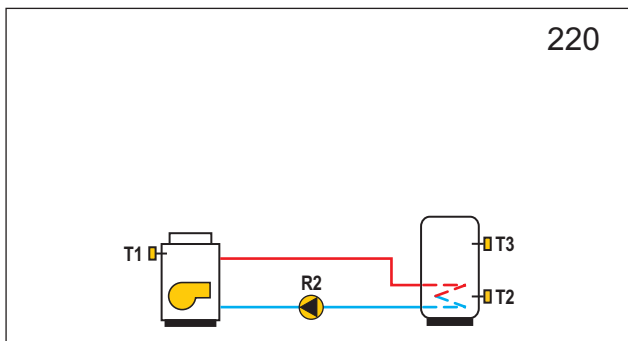
SGC26 D. h. w. storage tank, thermostat for heating R2, thermostat for cooling R1.



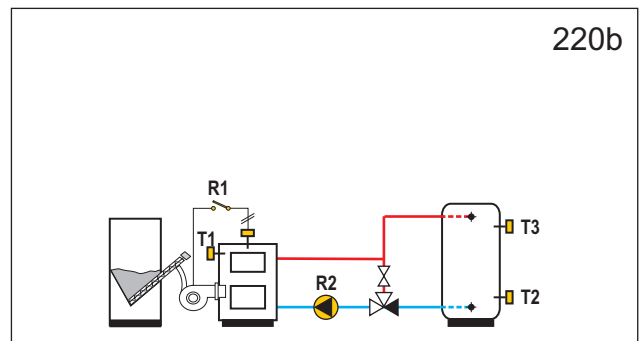
SGC26 Heating support with heat accumulator, backup heating with electricity.



SGC26 Solid fuel boiler, d. h. w. storage tank.

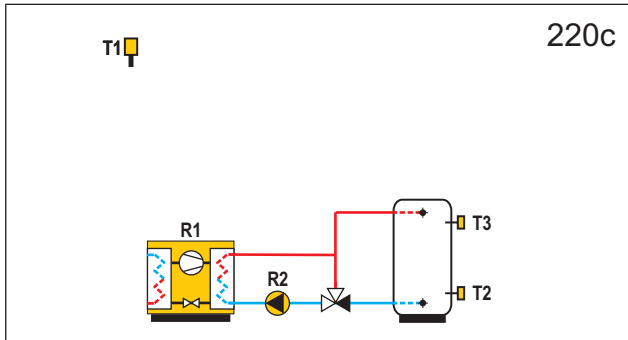


SGC26 Liquid fuel boiler, d. h. w. storage tank.

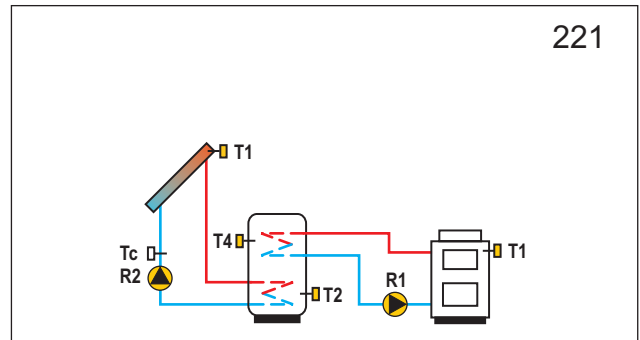


SGC26 Pellets boiler, heat accumulator.

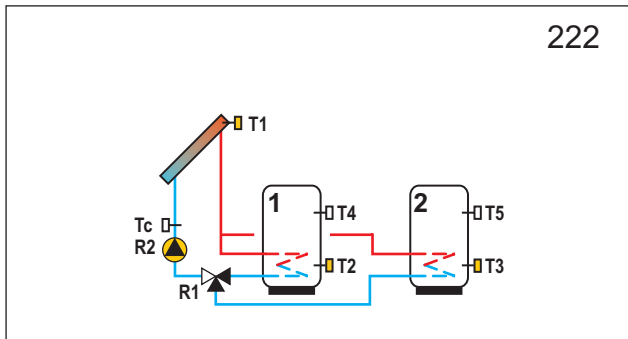
APPLICATION



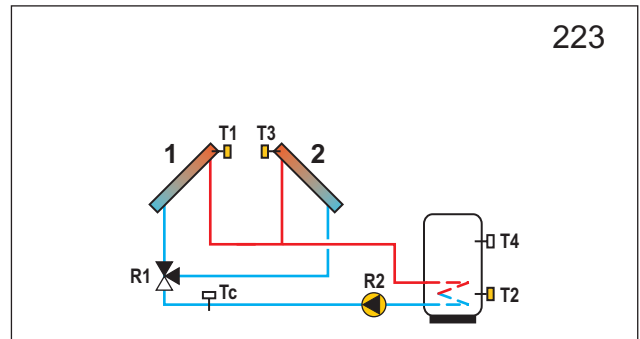
SGC26 Heat pump, heat accumulator.



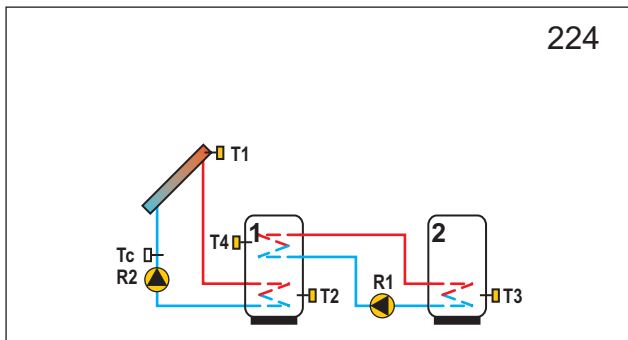
SGC26 Solar collectors, d. h. w. storage tank, solid fuel boiler.



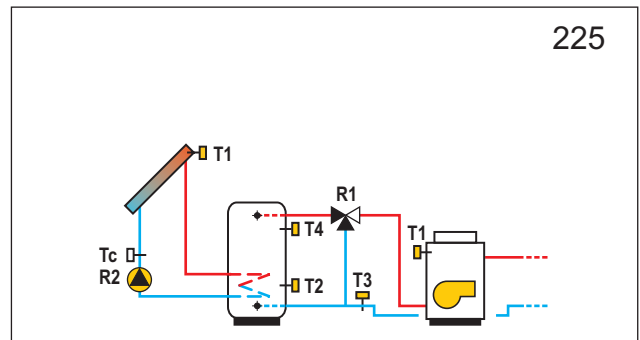
SGC26 Solar collectors, two d. h. w. storage tanks, switchover.



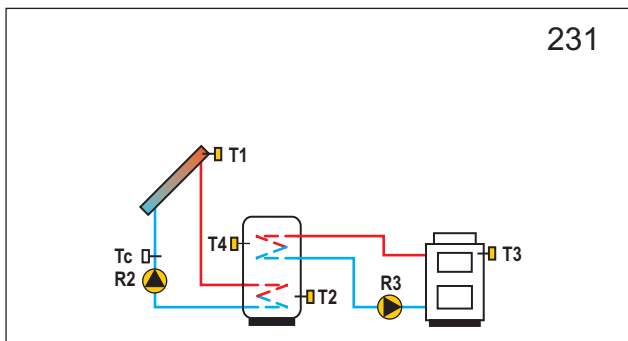
SGC26 Solar collectors east-west, d. h. w. storage tank.



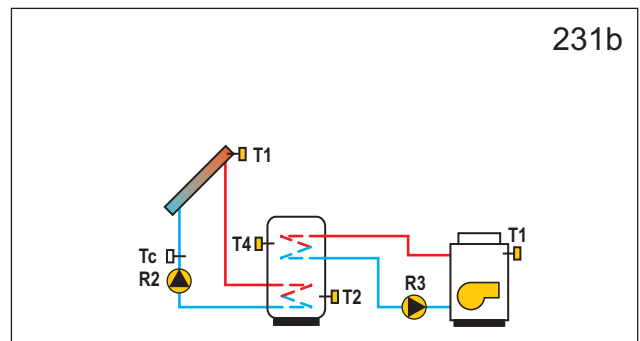
SGC26 Solar collectors, two d. h. w. storage tanks, heat transport to storage tank 2.



SGC26 Solar collectors, heating support with heat accumulator.

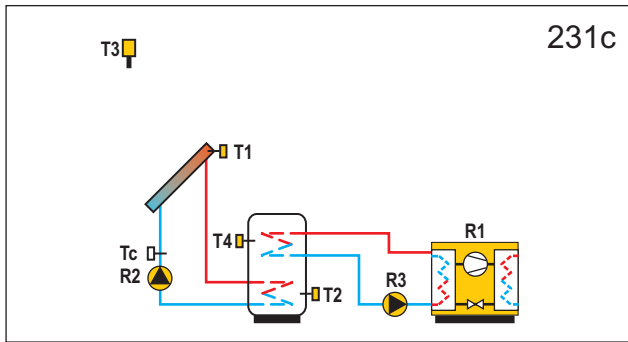


SGC36 Solar collectors, d. h. w. storage tank, solid fuel boiler.

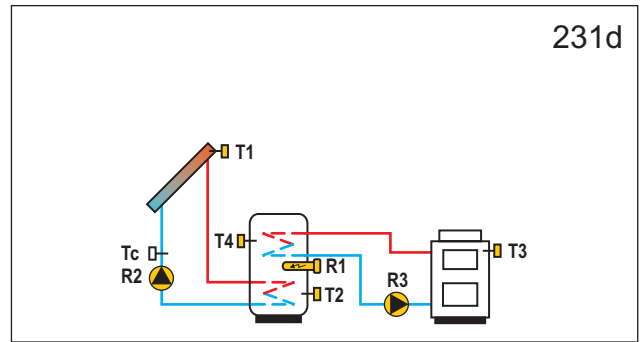


SGC36 Solar collectors, d. h. w. storage tank, liquid fuel boiler.

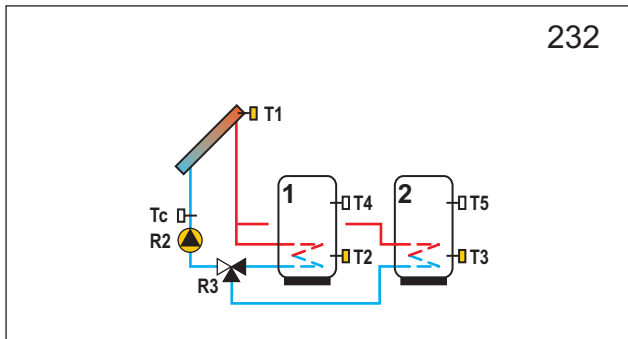
APPLICATION



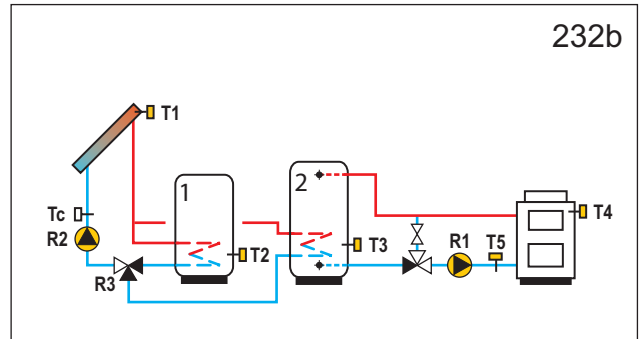
SGC36 Solar collectors, d. h. w. storage tank, heat pump.



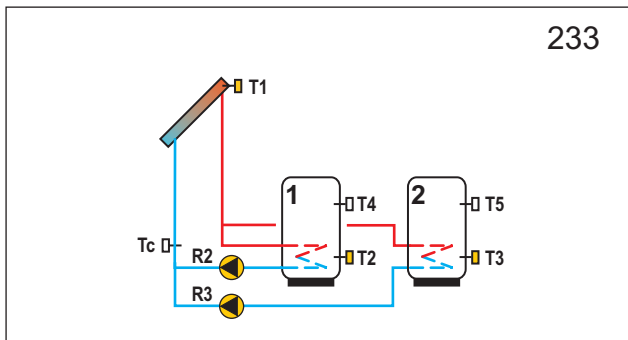
SGC36 Solar collectors, d. h. w. storage tank, solid fuel boiler, backup heating with electricity.



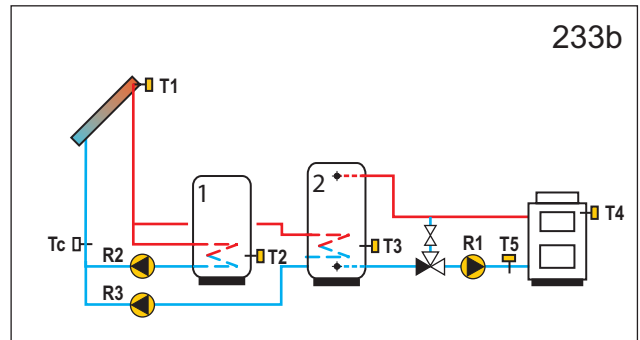
SGC36 Solar collectors, two d. h. w. storage tanks, switchover.



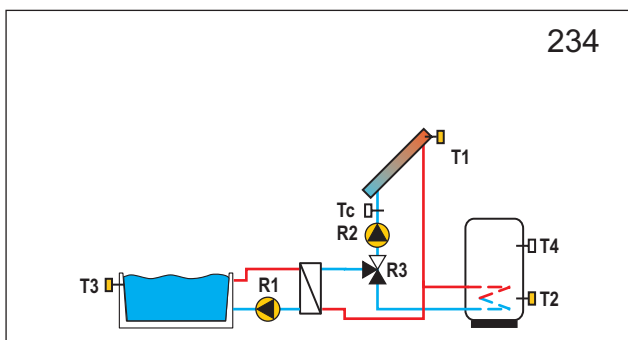
SGC36 Solar collectors, d. h. w. storage tank, heat accumulator, switchover, solid fuel boiler.



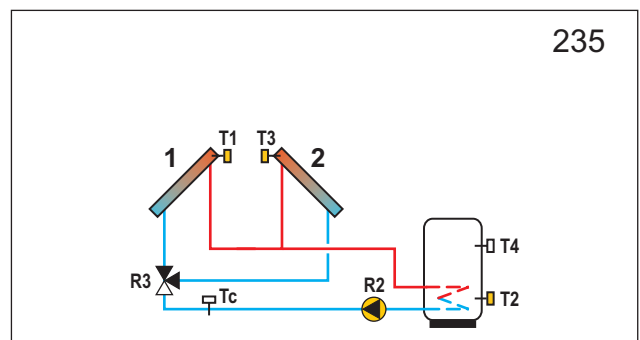
SGC36 Solar collectors, two d. h. w. storage tanks, two pumps.



SGC36 Solar collectors, d. h. w. storage tank, heat accumulator, switchover, solid fuel boiler.

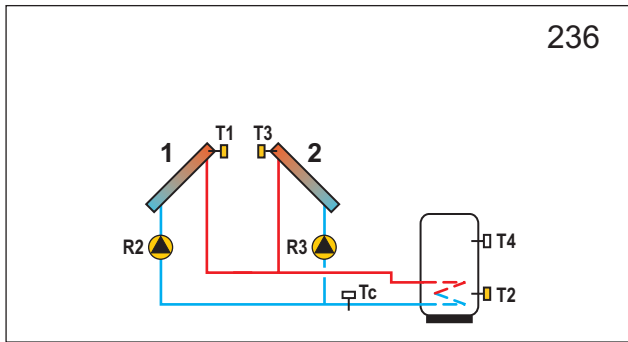


SGC36 Solar collectors, d. h. w. storage tank, swimming pool, switchover.



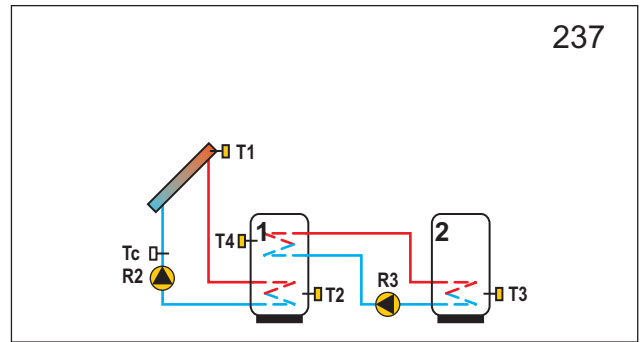
SGC36 Solar collectors field with east - west orientation, d. h. w. storage tank, switchover.

APPLICATION



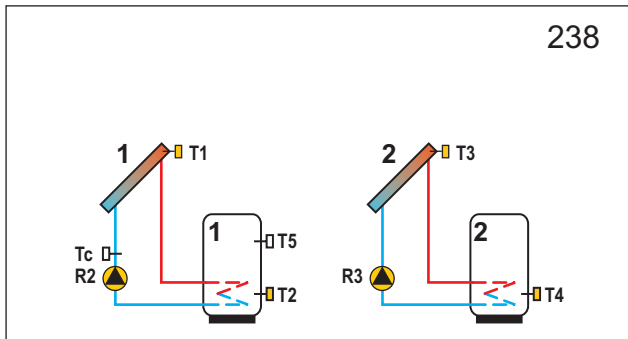
236

SGC36 Solar collectors with east - west orientation, d. h. w. storage tank, two pumps.



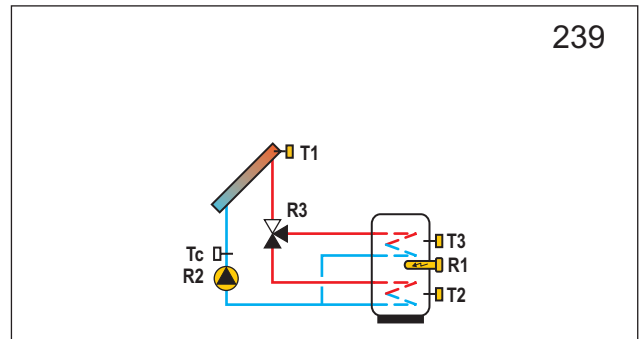
237

SGC36 Solar collectors, two d. h. w. storage tanks, heat transfer into the d. h. w. storage tank 2.



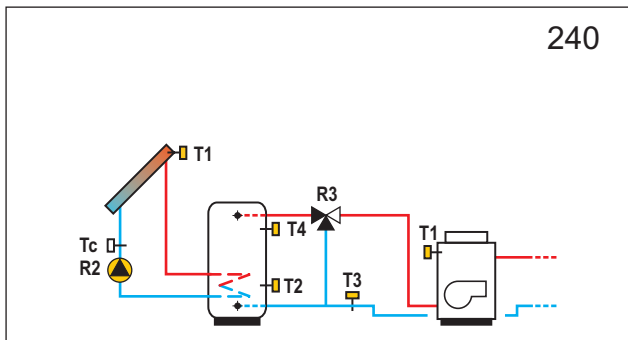
238

SGC36 Solar collectors, d. h. w. storage tank, two separate circuits.



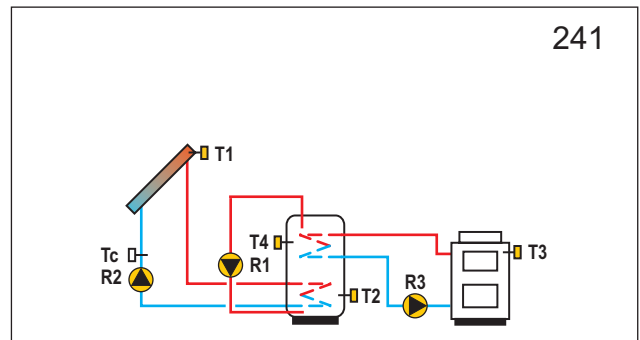
239

SGC36 Solar collectors, d. h. w. storage tank, switchover top/bottom, backup heating with electricity.



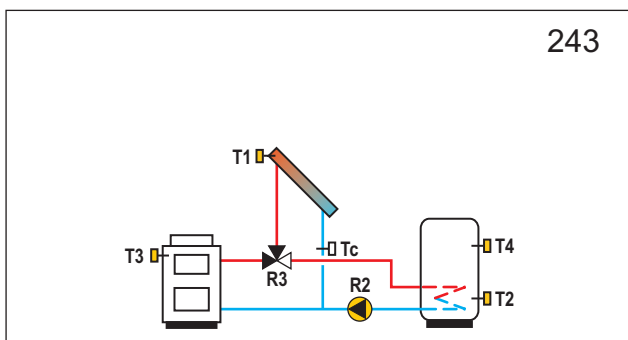
240

SGC36 Solar collectors, heating support with heat accumulator.



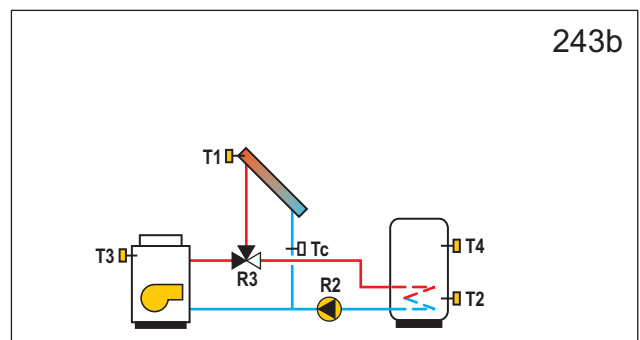
241

SGC36 Solar collectors, d. h. w. storage tank, solid fuel boiler.



243

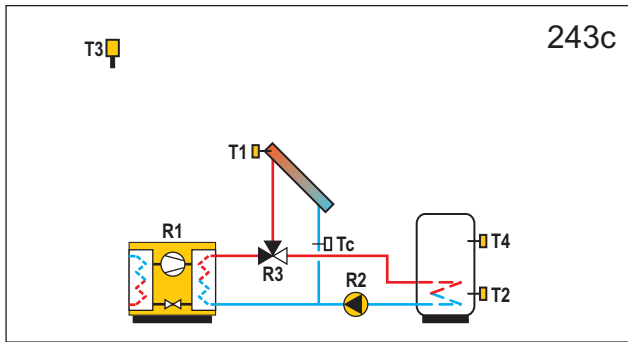
SGC36 Solid fuel boiler, solar collectors, d. h. w. storage tank, switchover.



243b

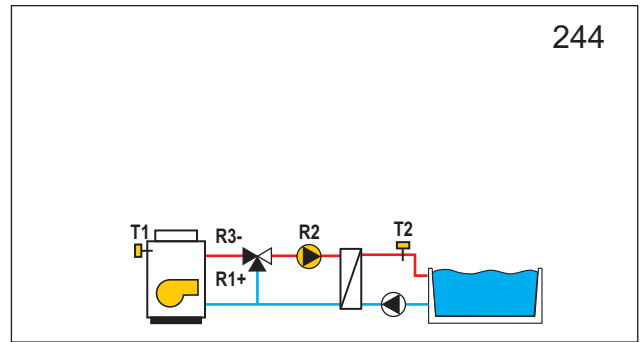
SGC36 Liquid fuel boiler, solar collectors, d. h. w. storage tank, switchover.

APPLICATION



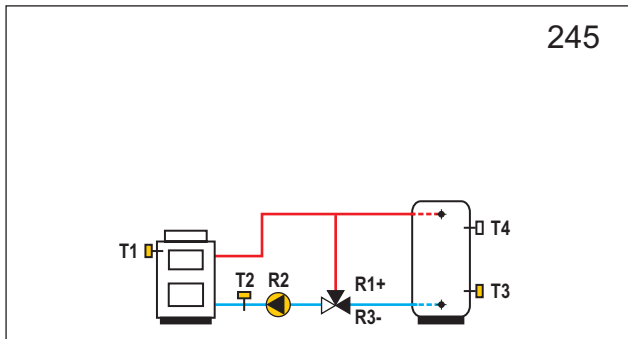
243c

SGC36 Heat pump, solar collectors, d. h. w. storage tank, switchover.



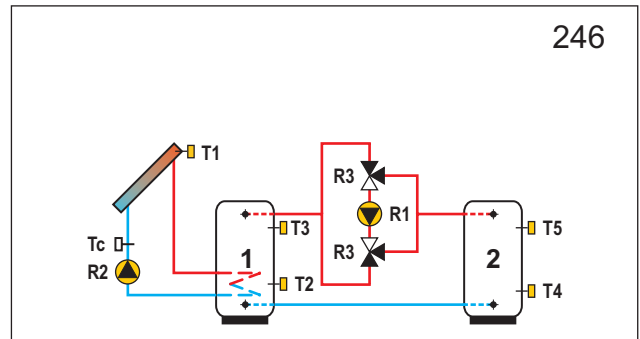
244

SGC36 Control of the swimming pool warming.



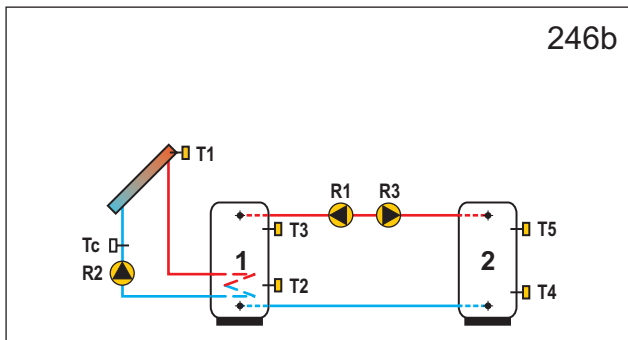
245

SGC36 Solid fuel boiler, return pipe temperature control.



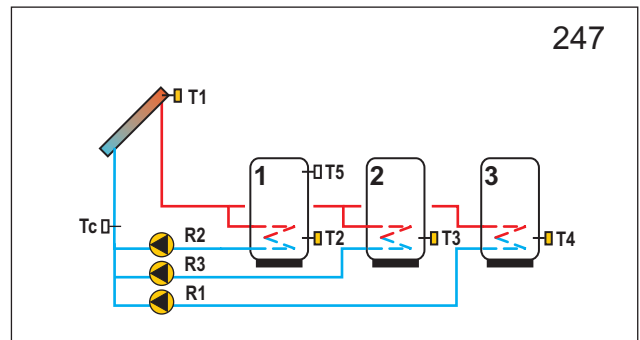
246

SGC36 Solar collectors, reversible transfer of heat between the main and auxiliary heat accumulator, switchover.



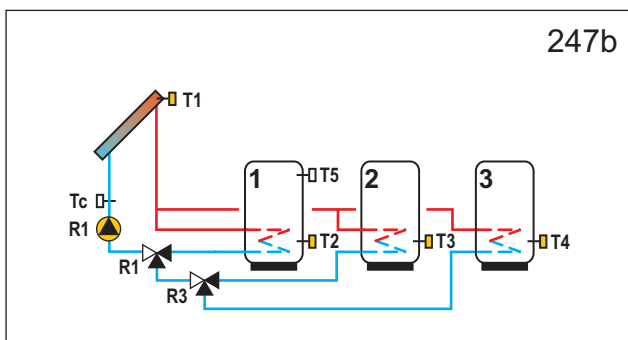
246b

SGC36 Solar collectors, reversible transfer of heat between the main and auxiliary heat accumulator, two pumps.



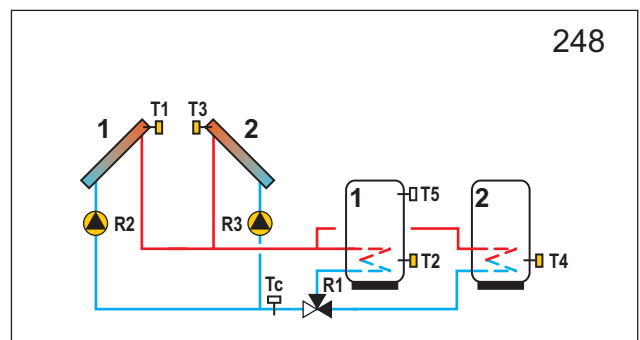
247

SGC36 Solar collectors, three d. h. w. storage tanks, three pumps.



247b

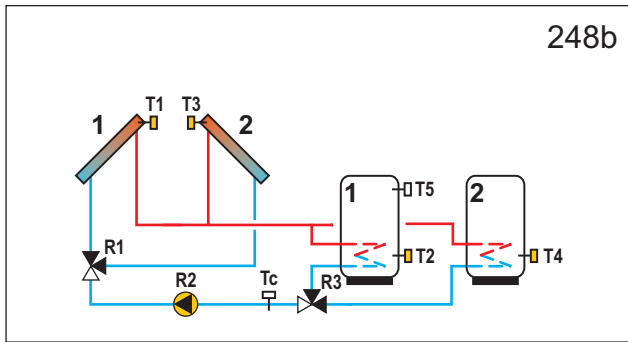
SGC36 Solar collectors, three d. h. w. storage tanks, switchover.



248

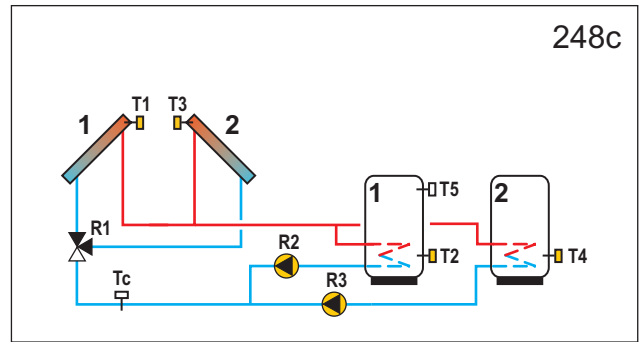
SGC36 Solar collectors east-west, two pumps, two d. h. w. storage tanks, switchover.

APPLICATION



248b

SGC36 Solar collectors east-west - switchover, two d. h. w. storage tanks - switchover.

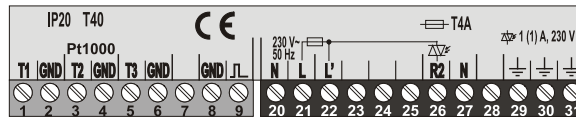


248c

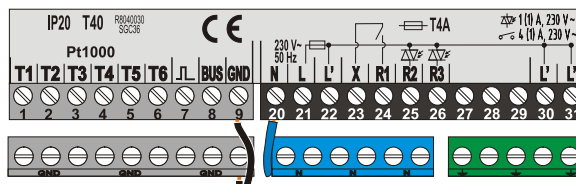
SGC36 Solar collectors east-west - switchover, two d. h. w. storage tanks, two pumps.

CONNECTION TERMINALS

SGC14







SGC26, SGC36



TEMPERATURE SENSORS, ACTUATORS

For SGC controllers are available following sensors and actuators:

	Outdoor sensor AF For measurement of outdoor temperature.
	Surface sensor VF For measurement of stand-pipe or return-pipe temperature.
	Immersion sensor TF For measuring temperature of boiler, solar collectors, heat accumulator or domestic hot water storage tank.
	Actuator AVC For control of mixing/switchover valve.

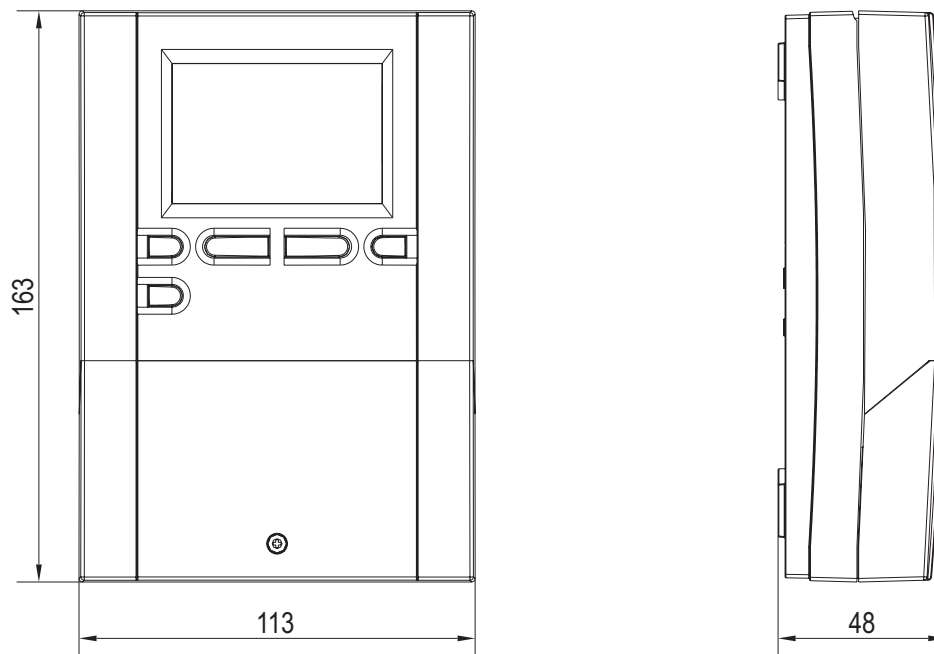
ORDERING CODES

Solar controllers SGC	
2SGC1400-010	Solar controller SGC14
2SGC2600-010	Solar controller SGC26
2SGC3600-010	Solar controller SGC36

Solar controllers SGC with sensors	
2SGC1430-010	Solar controller SGC14 with sensors 3 x TF/Pt
2SGC2640-010	Solar controller SGC26 with sensors 4 x TF/Pt
2SGC3640-010	Solar controller SGC36 with sensors 4 x TF/Pt

TECHNICAL DATA

General technical data	
Rated operating voltage	230 V ~, 50 Hz
Power consumption	5 VA
Relay output	4 (1) A ~, 230 V ~
Triac output	1 (1) A ~, 230 V~
Safety Class	IP20 according to EN 60529
Degree of protection	I according to EN 60730-1
Controller housing	ASA - thermoplastics
Dimensions	113 x 163 x 48 mm
Weight	391 g
Permissible ambient temperature	5 °C ... +40 °C
Storage temperature	20 °C ... +65 °C

DIMENSIONS

Data sheet

SOLAR CONTROLLERS

PROMATIC® SGC14, SGC26, SGC36



NOTES

Lined area for notes, consisting of multiple horizontal lines for writing.

© All rights reserved. We retain the right for modifications without previous notification. We don't take any responsibility for mistakes.

SELTRON d.o.o.
Ruška cesta 96
2345 Bistrica ob Dravi
SI - Slovenia

SELTRON d.o.o.
Tržaška cesta 85
2000 Maribor
SI - Slovenia

Tel.: +386 (0)2 671 96 00
Fax.: +386 (0)2 671 96 66
[http:// www.seltron.eu](http://www.seltron.eu)
E-mail: sales@seltron.eu

